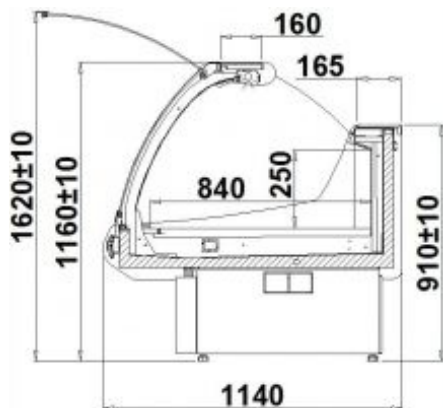




# SILDOR

VITRINE FRIGORIFICE ORIZZONTALE

## GRENADA-SP



### Produse

COD	Nume	Lungime (include partile laterale) [mm]	Greutate `kg	Capacitate [dm³]	Zona de racire pe raft [m²]
GR100SP	GRENADA 1.25 SP-mod/C	1250	140	260	1,05
GR101SP	GRENADA 1.9 SP-mod/C	1875	210	390	1,6
GR102SP	GRENADA 2.5 SP-mod/C	2500	240	520	2,1

### Fisa tehnica

Option	1.9
Rated power [W]	168
Length (sides excluded) [mm]	1875
Rated power (evaporation heater) [W]	780
Rated power of lighting [W]	60
Depth [mm]	1140
Available capacity [dm³]	390
Rated power (electric heaters) [W]	45
Unit weight [kg]	210
Height [mm]	1160+/-10
Electricity consumption [kWh/24h]	3,9
Shelf load [kg/running metre]	80
Evaporation temperature To [°C ]	-10
Temperature range [°C ]	+1/+10
Shelves cooling area [m²]	1,6
Side thickness [mm]	50
Cooling power demand [W/running metre]	500
Rated voltage [V]	230/50Hz
Refrigeration medium	R507

### Optiuni standard

- remote compressor
- appliance suitable for line display
- dynamic cooling
- external housing (zinc coated plate, powder painted, white)
- ecological polyurethane foam insulation
- front bumper - color selection possible
- display area (zinc and polyester coated sheet - white)
- worktop - stainless plate, insulated
- aluminium sections - colour - silver / gold
- front glass panels opened with telescopes
- curved, high tempered front glass
- red fluorescent lamp
- adjustable legs
- auto defrost
- electronic controller with digital temperature gauge